

3M M79 Meter Buffer Installation

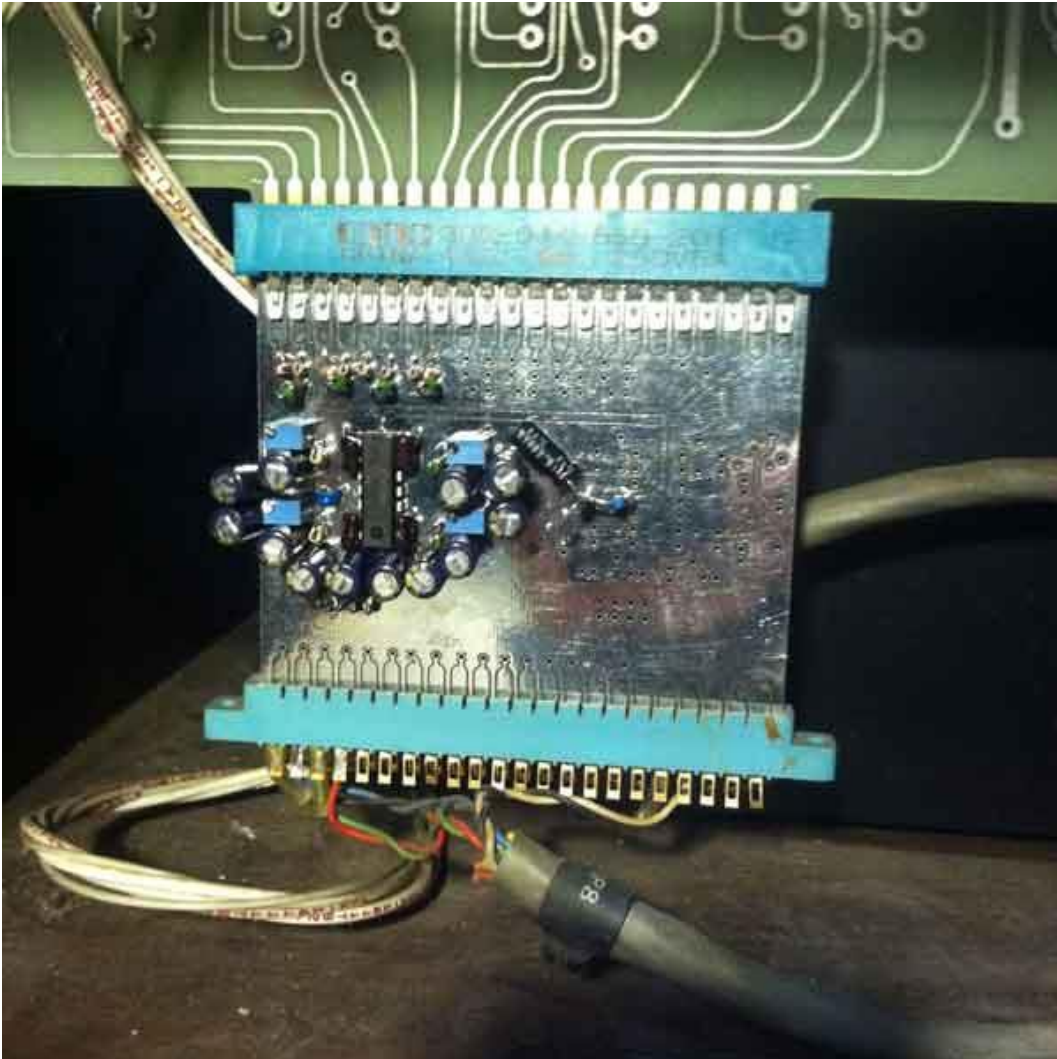
- 1) Power off the tape machine.
- 2) Open the front doors of the machine, which exposes the Signal Electronic Cards.
- 3) Notice the pc board(s) below the Signal Electronic Cards with edge connectors at the bottom – these are the transformer boards with meter connections at the bottom. There will be one connector on 2 – 8 track machines, two connectors on 16 track machines and three connectors on



24 track machines.

- 4) Unplug the edge connectors at the bottom of the pc board(s).

5) Plug the Meter Buffer(s) provided into the pc board(s), with the com-



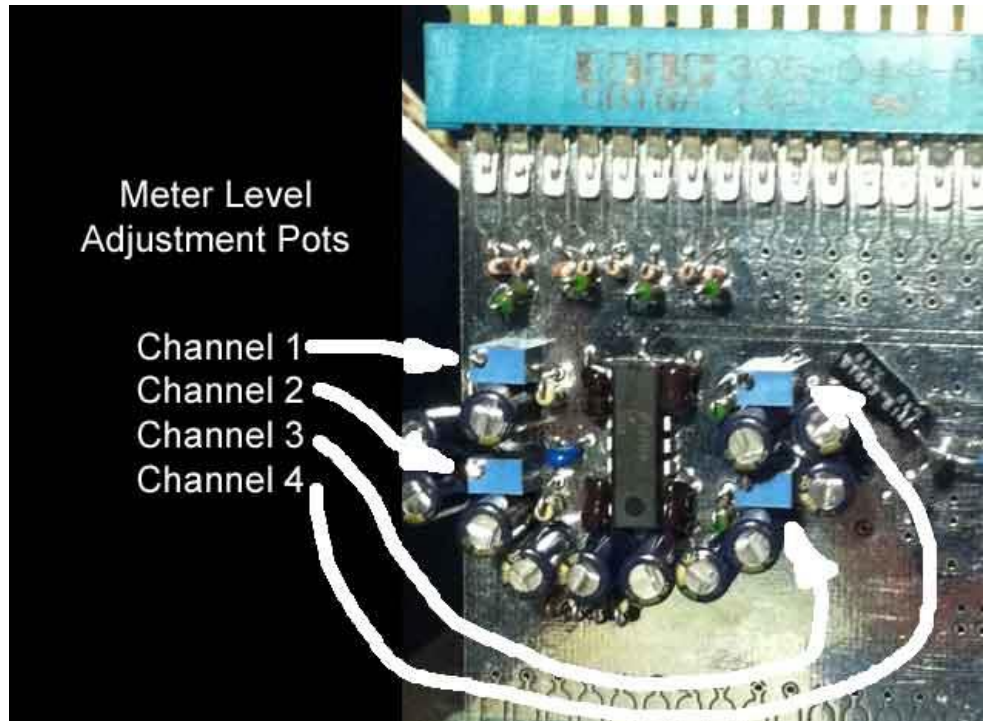
ponents facing towards the front of the machine.

6) Plug the edge connector(s) into the bottom of the Meter Buffer board(s), as shown above.

7) Align the Meter Buffer(s):

- a. Power on the tape machine.
- b. Connect the outputs of the tape machine to your mixer or monitor system, as it will normally be used.
- c. Put the machine into input mode.
- d. Send a 1kHz tone at +4dBu into the tape machine.

- e. Adjust the INPUT level (Record Monitor Cal) pots on the Signal Electronics boards so that the output of the tape machine reads +4dBu on an external meter.
- f. Adjust the trimpots on the Meter Buffer(s) until the meters read 0VU.
 - i. There are up to 8 trimpots on each Meter Buffer board. Here



are the adjustments for a 2/4 channel card.

That's all there is to it...